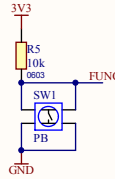
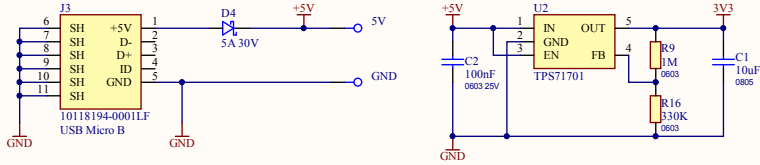
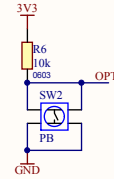


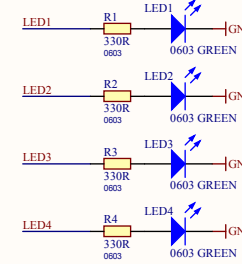
**USB POWER**



**FUNCTION**



**OPTION**

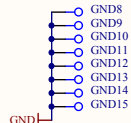
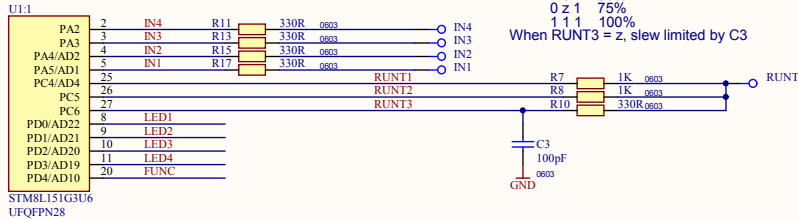


330R on each output protect for short to +5V or GND

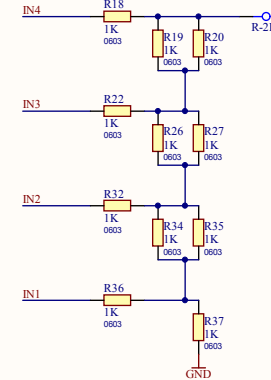
```

RUNT 1 2 3 0 OUT
    0 0 0 0
    1 z 0 25%
    1 0 z 50%
    0 z 1 75%
    1 1 1 100%
    
```

When RUNT3 = z, slew limited by C3



**R-2R DAC**



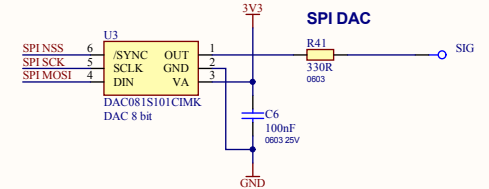
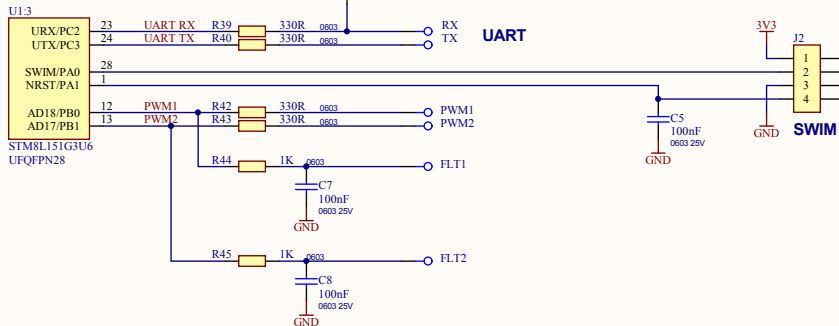
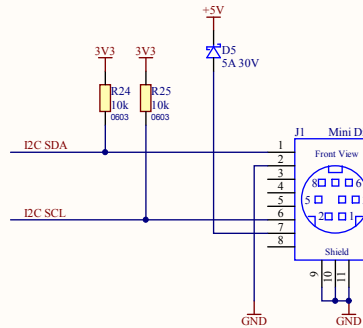
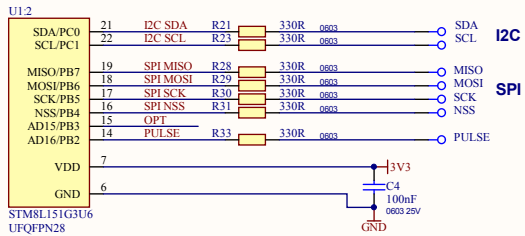
**Link Connector**

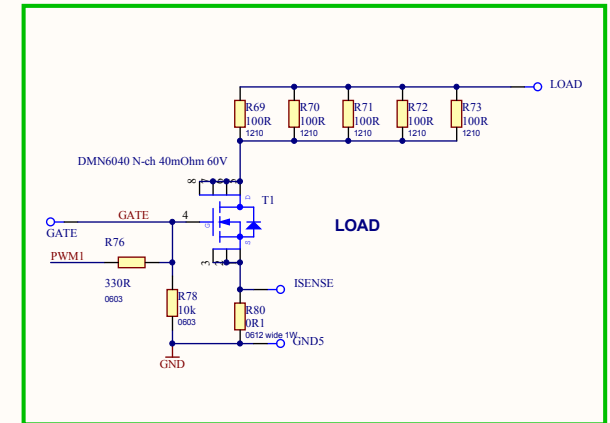
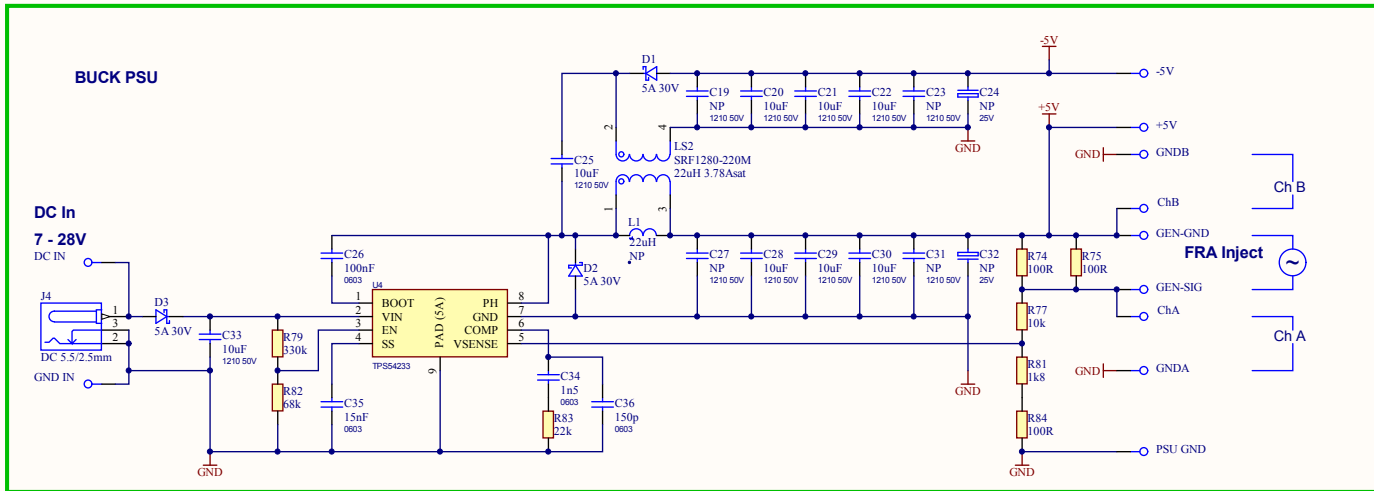
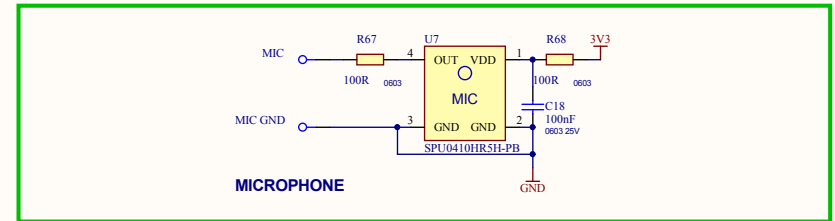
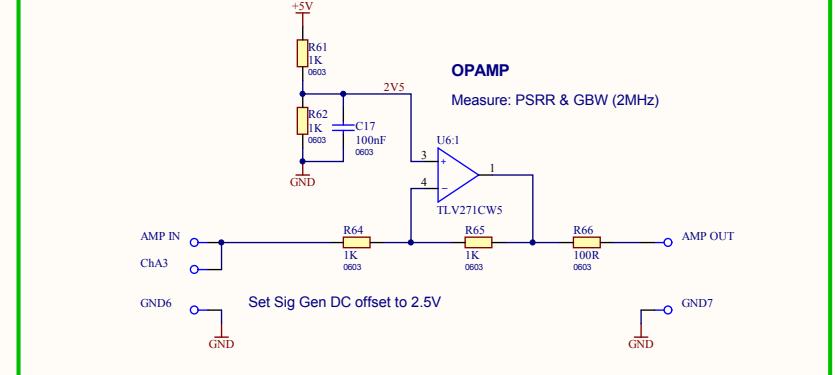
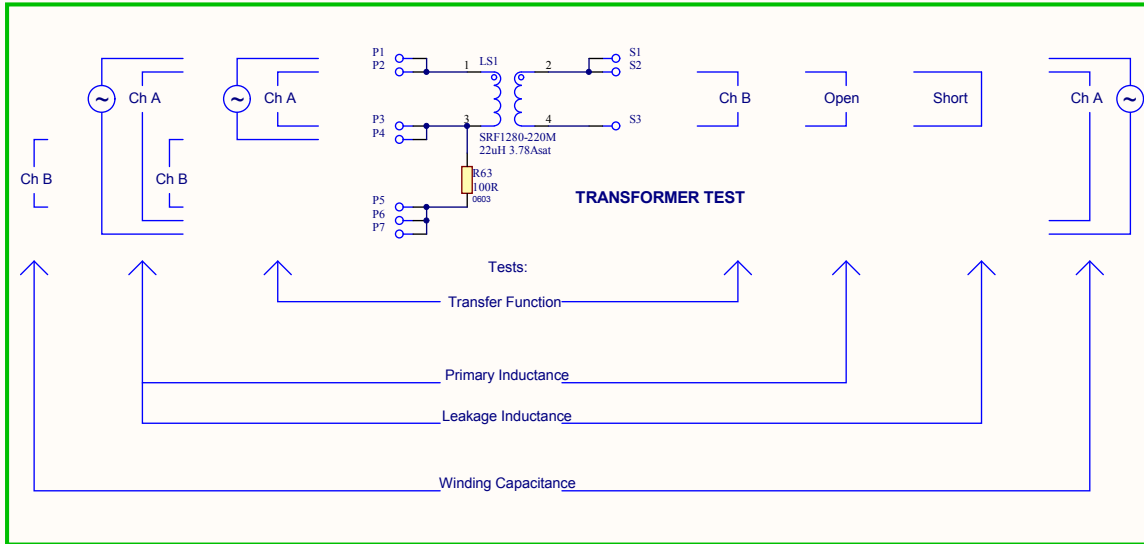
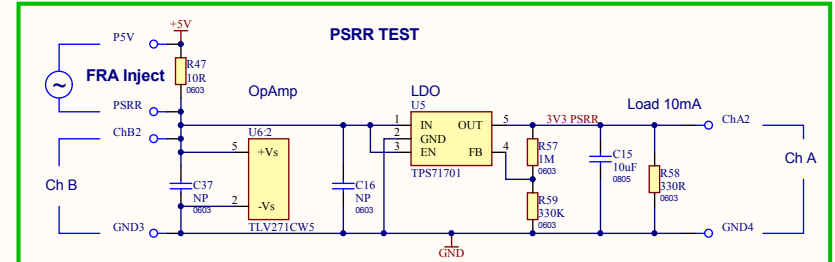
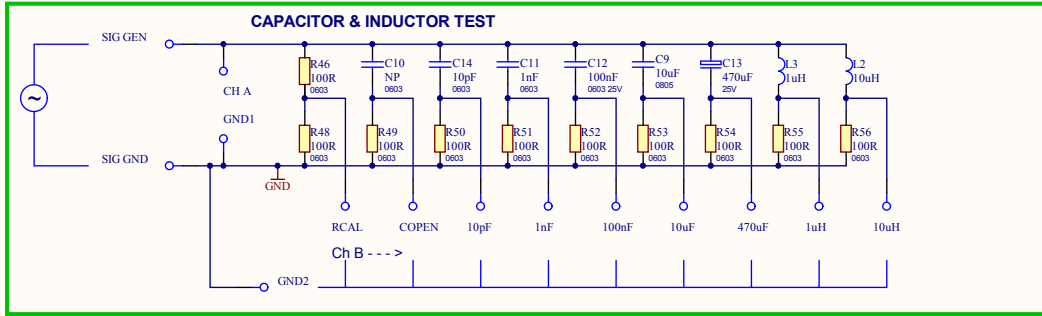
- Cscope400 Pin Out:
- 1 Dig I/O 3 (I2C)
  - 2 GND
  - 3 Trigger In
  - 4 Trigger Out
  - 5 Dig I/O 2
  - 6 Dig I/O 4 (I2C)
  - 7 +5V
  - 8 Dig I/O 1

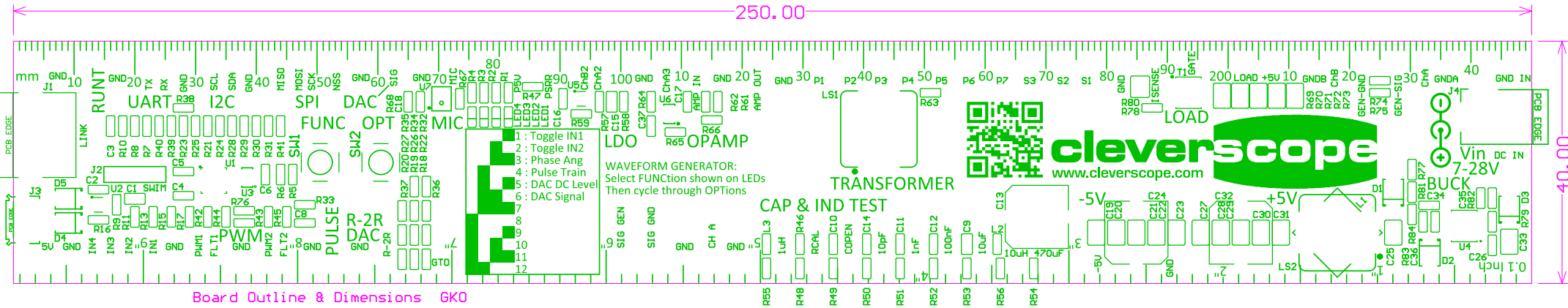
All I/O are 3.3V level and bidirectional.

**Cscope5 Pin Out:**

- 1 Comp Out
- 2 GND
- 3 RS422 In+
- 4 RS422 Out+
- 5 Dig Out 2
- 6 RS422 In-
- 7 RS422 Out-
- 8 Dig Out 1







250.00

40.00

Board Outline & Dimensions GKO